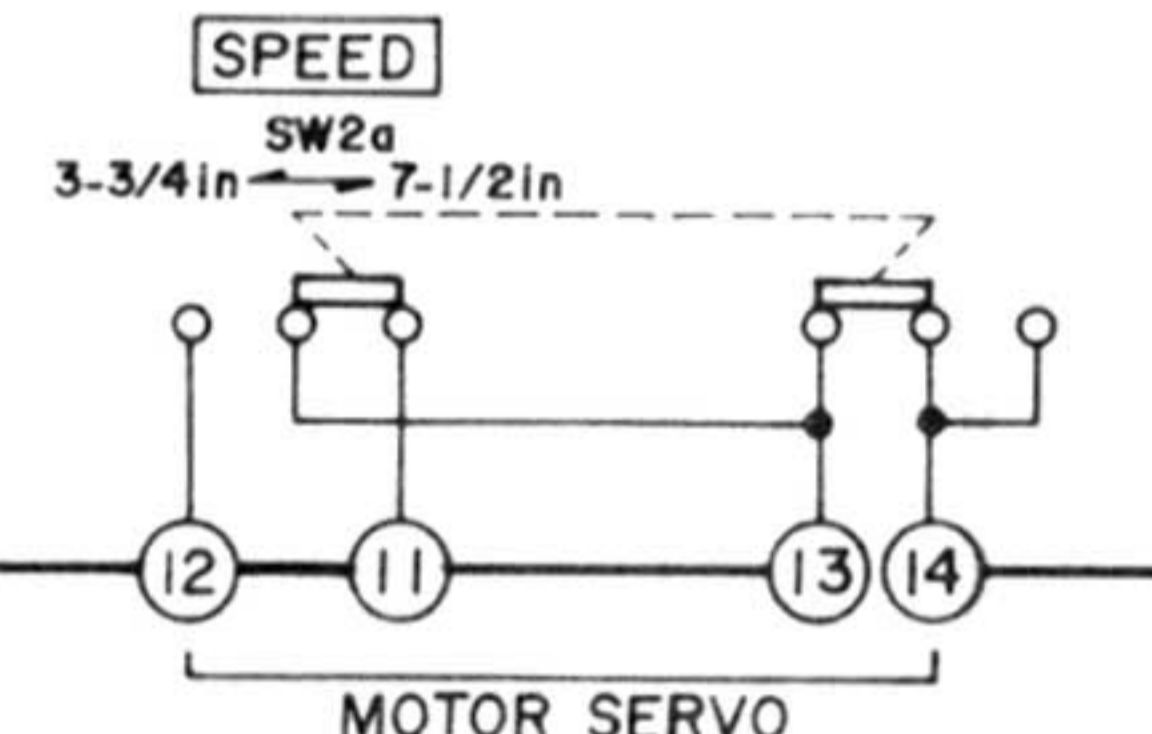
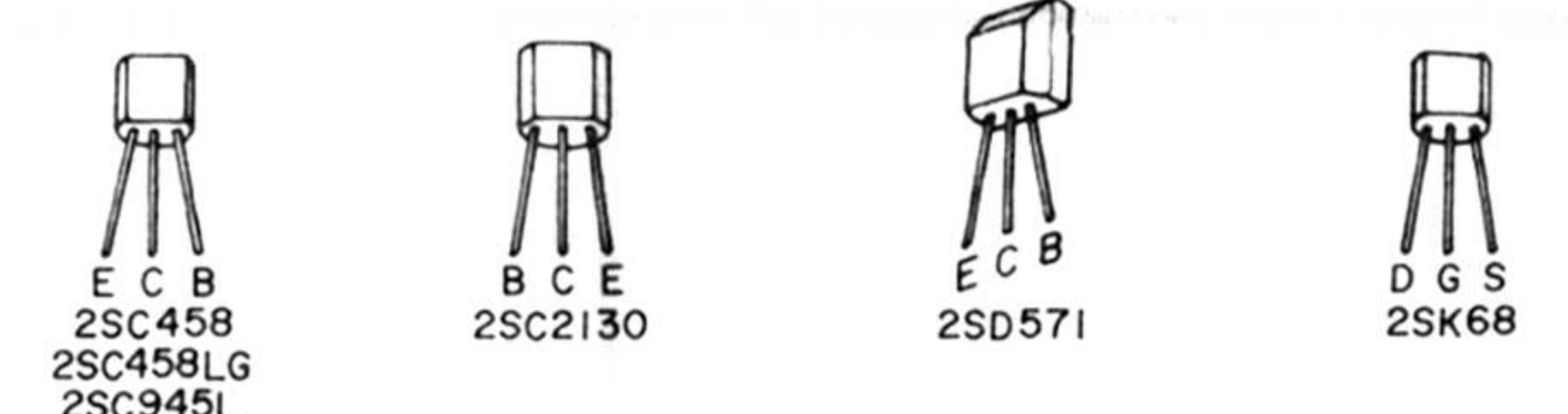


* REC MODE

		7-1/2in	3-3/4in
TR13	B	0.3V	0.3V
	C	22.0V	22.0V
TR14	B	0V	0V
	C	17.0V	14.3V
TR15	B	17.0V	14.3V
	E	16.5V	13.8V
TR16	E	15.9V	13.2V
L1 to 3		-0.4V	-0.2V
4 to 6		15.9V	13.2V
8		65.2V AC	54.0V AC
9		120.4V AC	101.8V AC
TR17,18	E	0V	0V



PRE AMP P.C BOARD TH-5001A



NOTE
 UNLESS OTHERWISE SPECIFIED
 ALL RESISTORS IN OHMS 1/4W(J)
 ALL CAPACITORS IN μF 50WV(K)
 (LL)=LOW LEAKAGE CAPACITOR

GX-635D AMP
 SCHEMATIC DIAGRAM
 NO.2-2 1562417A